

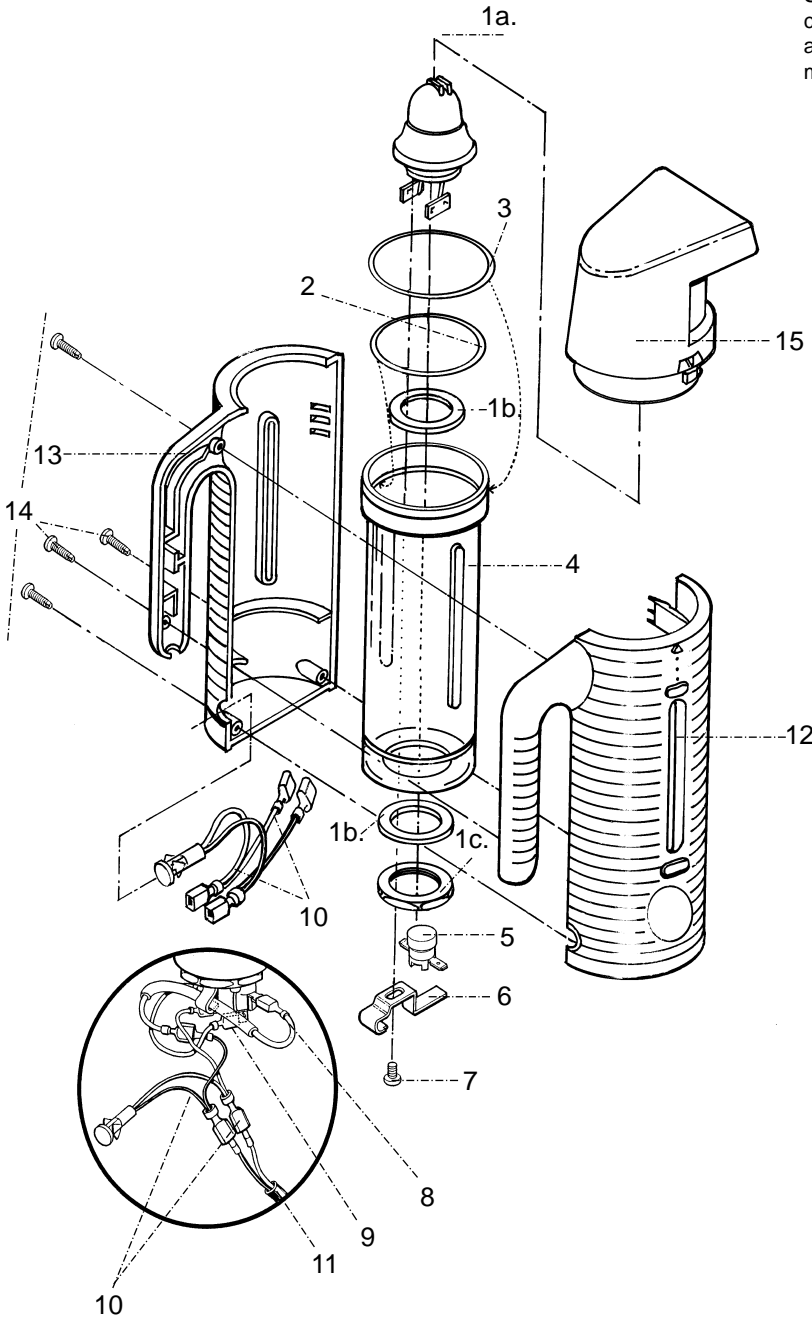
MODEL ESTEAM

Parts Diagram



Worldwide Leader in Steaming Equipment Since 1940

Should you ever need replacement parts for your Jiffy Steamer, you may purchase them separately. Use this convenient diagram and parts list to identify any part you may need. Please reference the Jiffy Steamer part number, model number and serial number when ordering.



Key #	Jiffy Steamer Part #	Part Description	List Price
1	0653	Esteam 120 Volt 600 Watt Heater with Gaskets and Nut	\$ 17.00
	0655	Esteam 230 Volt 600 Watt Heater with Gaskets and Nut	\$ 17.00
1a.		Esteam Heater (Sold with Item #0653 or #0655 as a Kit)	
1b.		Gasket for Esteam Heater (Sold with Item #0653 or #0655 as a Kit)	
1c.		Nut for Esteam Heater (Sold with Item #0653 or #0655 as a Kit)	
2	0661	Red Inside O-Ring	\$ 1.50
3	0662	Black Outside O-Ring	\$ 1.50
4	0669	Esteam Water Tank	\$ 24.00
5	0640	Esteam 36 T-L263 Thermostat	\$ 6.75
6	0643	Fusible Link Clamp	\$ 1.50
7	0644	Fusible Link Clamp Screw	\$ 0.50
8	0641	Fusible Link Wire with Insulated Lug (Orange)	\$ 2.50
9	0681	Red Wire with Insulated Lug	\$ 1.50
10	0645	Pilot Light with Wiring Harness for 120 Volt Electrical Systems	\$ 7.00
	0646	Pilot Light with Wiring Harness for 230 Volt Electrical Systems	\$ 7.00
11	0647	Cord set (18/2 gauge)	\$ 7.00
12	0665	Right Case Half	\$ 14.00
13	0666	Left Case Half	\$ 14.00
14	0667	Four (4) Screws for Esteam Outer Case Halves	\$ 1.00
15	0663	Complete Steam Cap with Face Plate	\$ 20.00
ACCESSORIES			
	0619	Voltage Converter for Travel	\$ 19.00
	0898	Liquid Cleaner - 3 Ten (10) Ounce Bottles per Package*	\$ 15.00
		*Not Available for Export.	

Jiffy Steamer Company, LLC

4462 Ken-Tenn Highway (38261) Post Office Box 869 Union City, Tennessee 38281-0869 United States of America
 Phone: 1-731-885-6690 Fax: 1-731-885-6692 Web: www.jiffysteamer.com E-mail: jsinfo@jiffysteamer.com

Form 3900